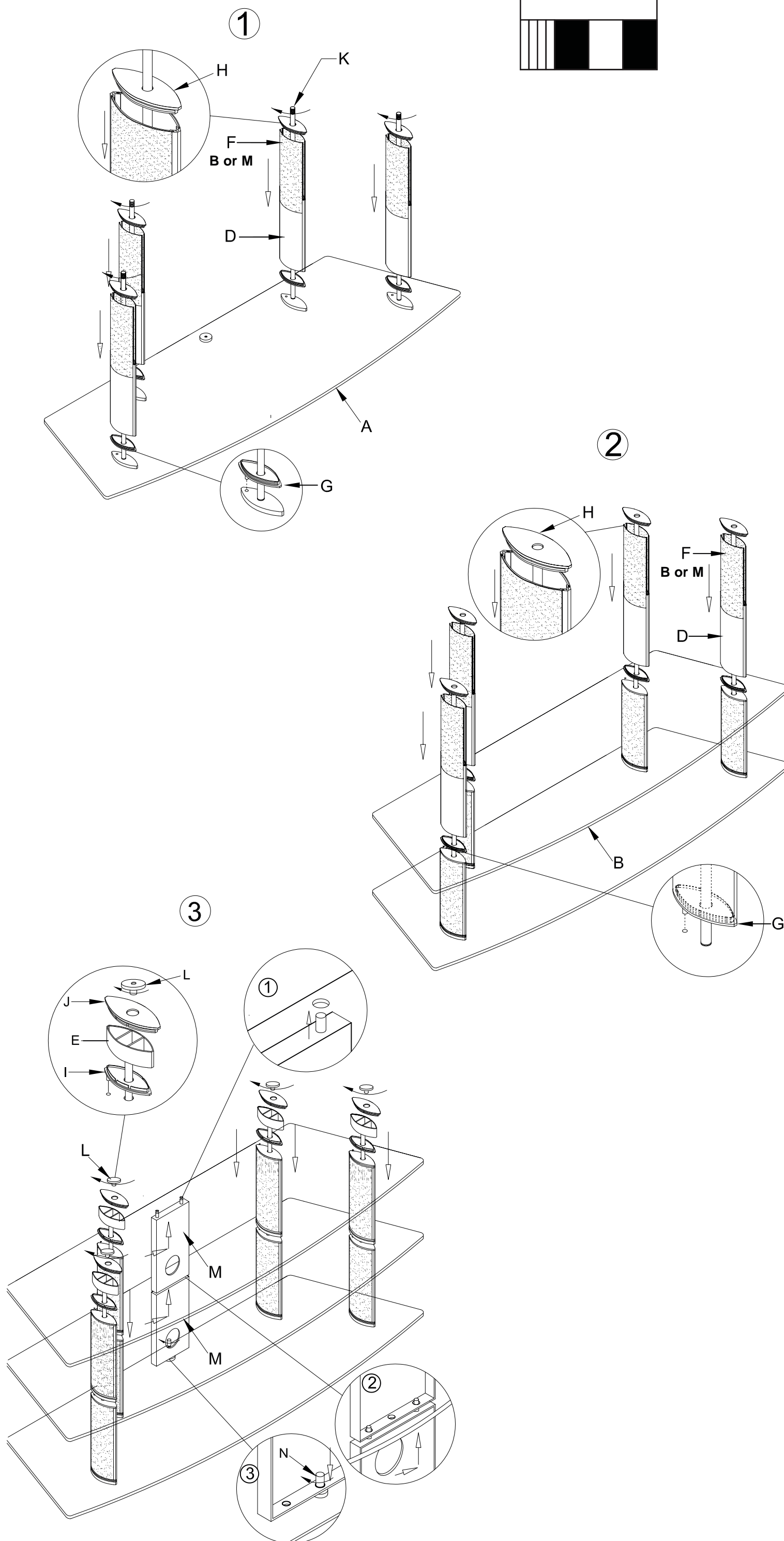
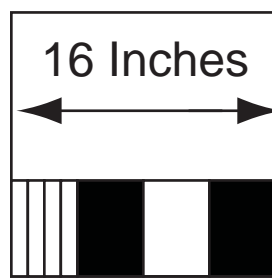


ELTVS52



Part Number	Ref. Number	Qty.	Image
	A	1	
	B	1	
	C	1	
	D	8	
	E	4	
	FB	16	
	FM	16	
ELTVS52G	G	8	
	H	8	
	I	4	
	J	4	
ELTVS52K	K	4	
ELTVS52L	L	4	
ELTVS52M	M	2	
ELTVS52N	N	1	
ELTVS52O	O	1	
ELTVS52P	P	1	

- ELTVS52G: Black End Cap for Leg
- ELTVS52K: 4 pack of all threaded rods
- ELTVS52L: 4 pack Black Feet
- ELTVS52M: 2 pack, Cord Covers
- ELTVS52N: Silver threaded screw to hold the cord cover
- ELTVS52O: Hex Wrench
- ELTVS52P: Guitar Pick for removing the colored sleeves