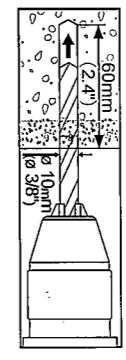
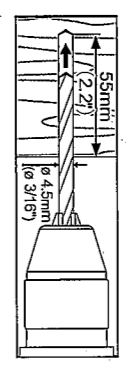
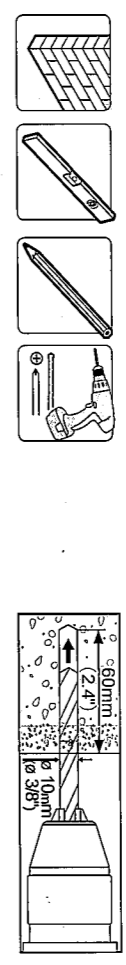
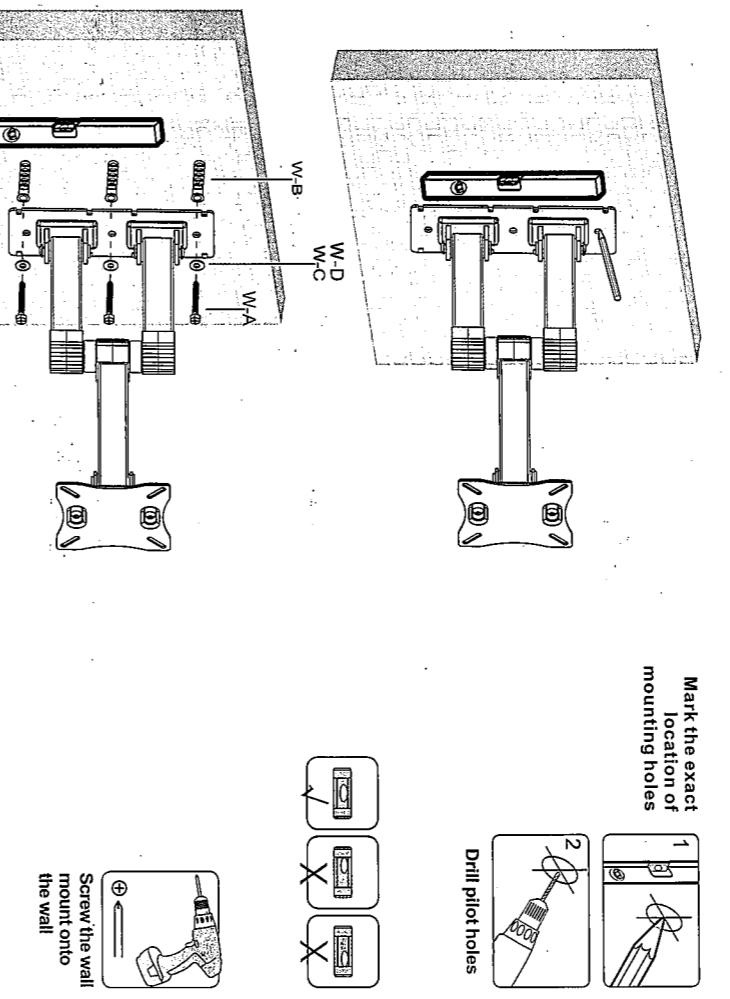
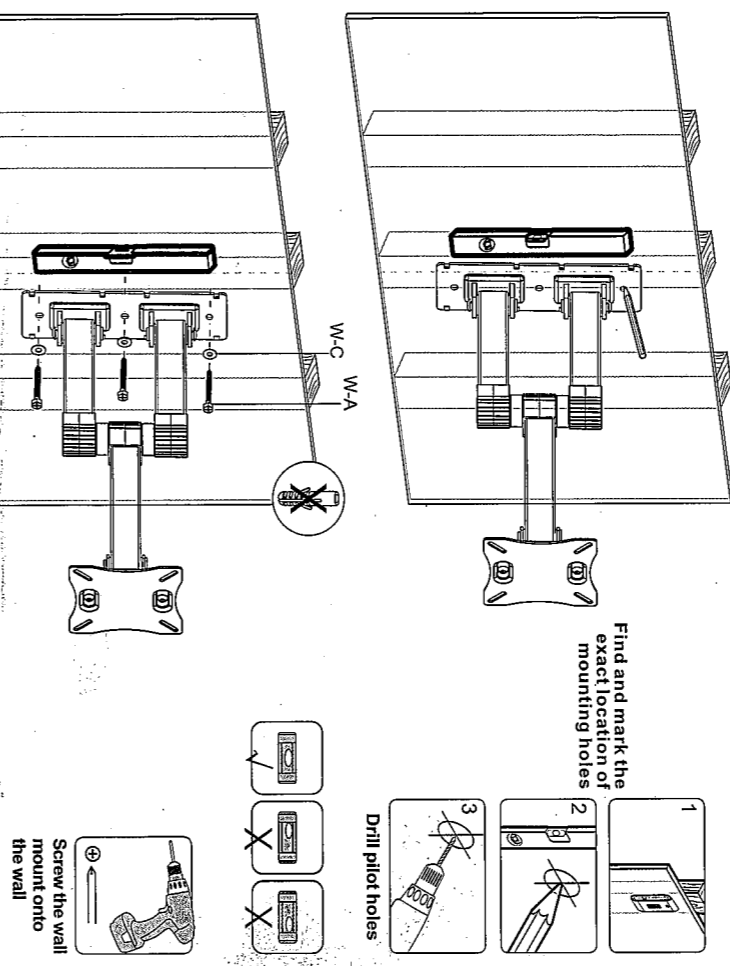


1a. For Wood Stud Wall Mounting

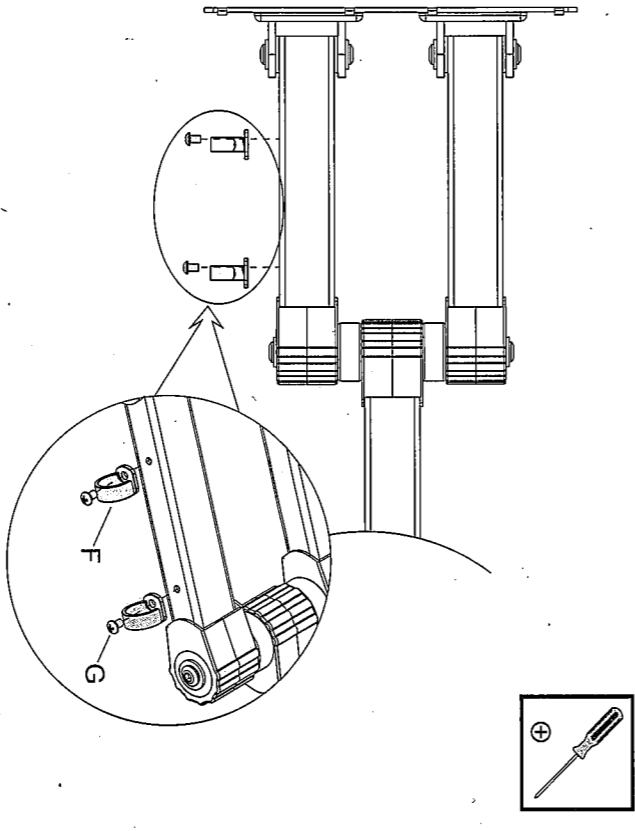


Find and mark the exact location of mounting holes

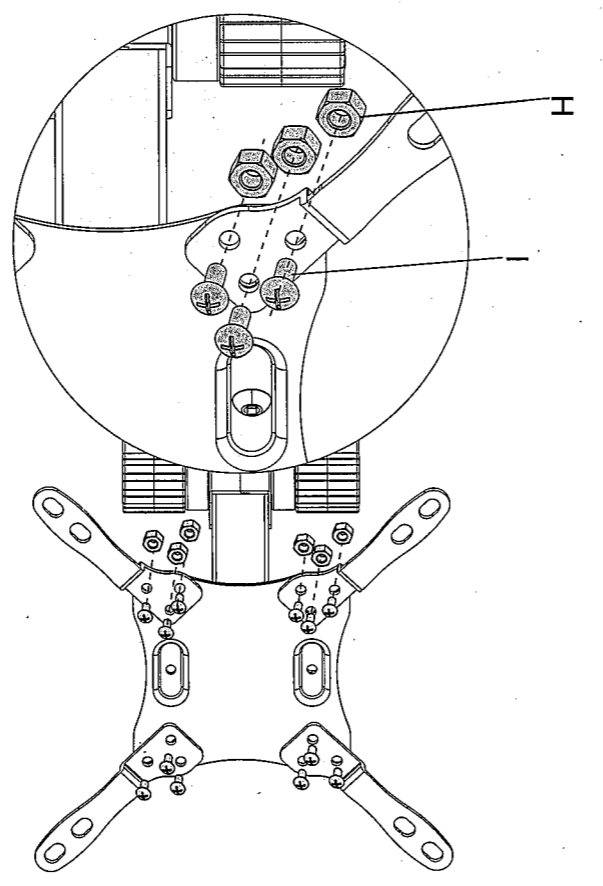
Mark the exact location of mounting holes



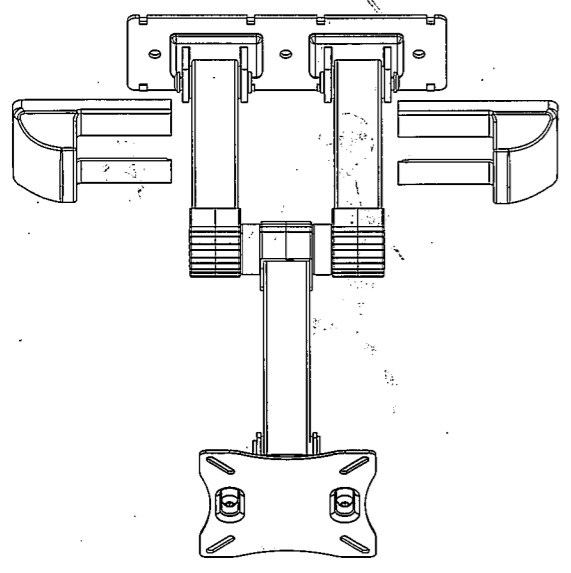
2. Install the cable management line



4. Install the Adaptor



3. Install the plastic covers



5. Install the bracket on the TV

