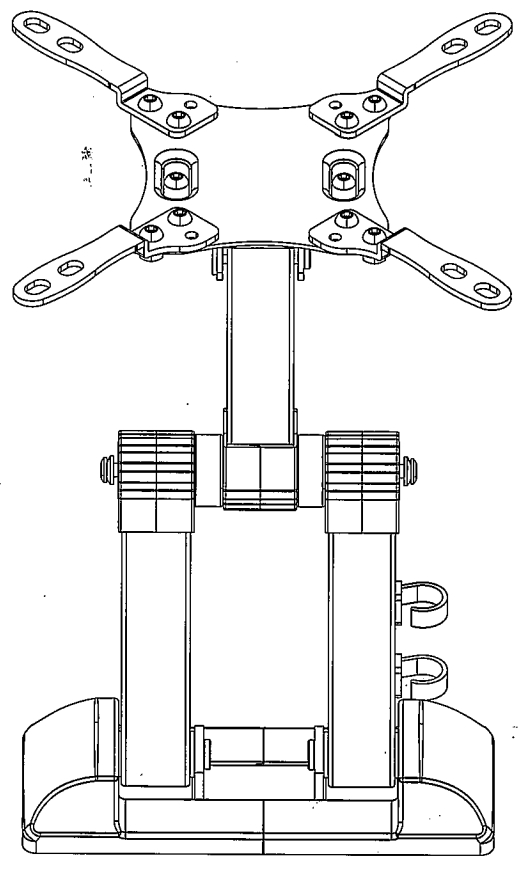


LEVEL MOUNT™ by Elexa INSTALLATION MANUAL

Full Motion LED, LCD TV Wall Mount



DC30DJ

150x150/200x200

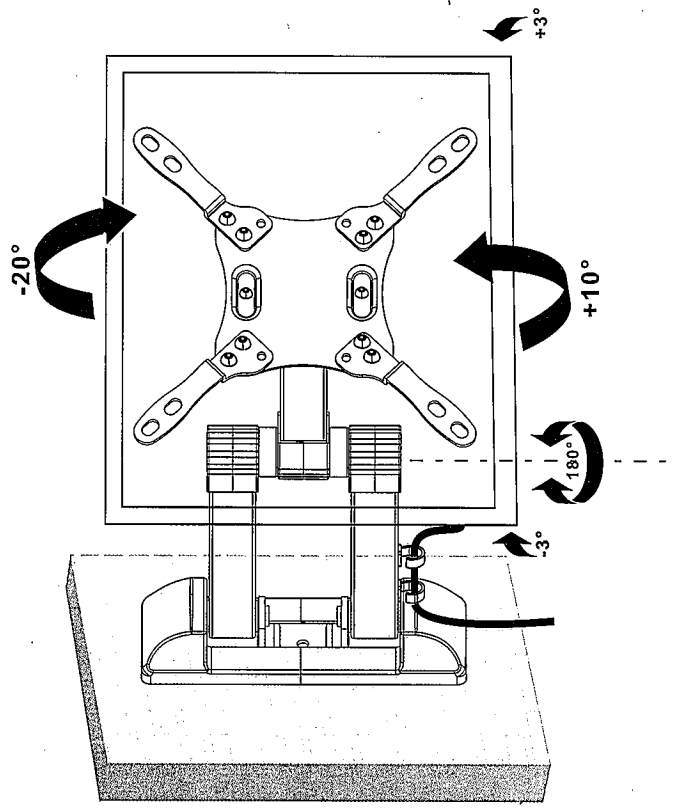
23"-42"

30kg (66lbs) RATED

CAUTION: DO NOT EXCEED RATED LISTED WEIGHT. SERIOUS INJURY OR PROPERTY DAMAGE MAY OCCUR!

ISSUED: APR. 2016

7. Adjustment



Tension is already pre-set at the factory. If it's too tight or too loose, you may adjust the tension by loosening or tightening the adjustment bolts.

Maintenance
 • Check that the bracket is secure and safe to use at regular intervals (at least every three months).
 • Please contact your distributor if you have any questions.

Read the entire instruction manual before you start installation and assembly. If you have any questions regarding any of the instructions or warnings, please contact your distributor.

CAUTION: Use only products heavier than the rated weights indicated may result in instability causing possible injury.
 • Safety gear and proper tools must be used. This product should only be installed by professionals.
 • The product is designed to be installed on wood stud walls, solid concrete walls or brick walls.
 • Make sure that the mounting surface is level. The equipment and all attached hardware and components.
 • Use the mounting screws provided and **DO NOT OVER TIGHTEN** mounting screws.
 • This product contains small items that could be a choking hazard if swallowed. Keep these items away from children.
 • This product is not for indoor use only. Using this product outdoors could lead to product failure and personal injury.
IMPORTANT: Ensure that you have read and fully understand the component checklist prior to installation. If any parts are missing or faulty, telephone your local distributor for a replacement.
MAINTENANCE: Check that the bracket is secure and safe to use at regular intervals (at least every three months).

DE Bitte vor Beginn der Montage und Zusammenbau des ganze Handbuch durchlesen. Bitte sich mit dem Händler vor Ort bei Fragen zur Anklebung oder Warnungen in Verbindung setzen.

AVVERTENZE: Leggere attentamente il manuale di istruzioni prima di iniziare l'installazione e l'assemblaggio. Se avete qualsiasi domanda o dubbio, contattate il vostro distributore locale.

AVVERTENZE: Utilizzare solo prodotti più pesanti di quelli indicati nel manuale di istruzioni. L'uso di prodotti più leggeri può causare instabilità e possibili lesioni personali. Usare solo il prodotto con i pesi indicati nel manuale di istruzioni. L'uso di prodotti più leggeri può causare instabilità e possibili lesioni personali.

FR Lire tout le manuel de instructions avant de commencer la installation et le montage. Si vous avez des questions concernant les instructions ou les avertissements, veuillez contacter votre distributeur local pour une assistance.

ATTENTION: L'utilisation de produits plus légers que les poids nominaux indiqués peut entraîner une instabilité causant des blessures potentielles. Une mauvaise installation peut entraîner des dommages ou de graves blessures aux personnes. Utilisez uniquement les produits indiqués dans le manuel de instructions.

ATTENTION: Utilizar con productos de mayor peso al indicado en los límites de peso podría ocasionar inestabilidad y posibles heridas personales. Una incorrecta instalación podría ocasionar daños y serias lesiones personales. Utilice solo el producto con los pesos indicados en el manual de instrucciones. Utilizar un producto más ligero puede ocasionar inestabilidad y posibles lesiones personales.

RU Прочтите все инструкции и сборочные инструкции перед началом установки. Если у вас возникли какие-либо вопросы относительно инструкции или предупреждений, свяжитесь со своим местным дистрибутором для получения помощи.

ВНИМАНИЕ: Использование продуктов, вес которых превышает указанные значения, может привести к неустойчивости и возможным повреждениям. Неправильная установка может привести к повреждению оборудования и серьезным травмам. Используйте только продукты, указанные в инструкции. Использование более легкого продукта может привести к повреждению и получению травм.

ES Lea todo el manual de instrucciones antes de comenzar la instalación y el ensamble de la unidad. Si tiene alguna inquietud con respecto a las instrucciones o advertencias, comuníquese con su distribuidor local para asistencia.

PRECAUCIÓN: Utilizar con productos de mayor peso al indicado en los límites de peso podría ocasionar inestabilidad y posibles heridas personales. Una incorrecta instalación podría ocasionar daños y serias lesiones personales. Utilice solo el producto con los pesos indicados en el manual de instrucciones. Utilizar un producto más ligero puede ocasionar inestabilidad y posibles lesiones personales.

PT Leia todo o manual de instruções antes de iniciar a instalação e o montagem. Se você tiver alguma dúvida sobre quaisquer uma das instruções ou avisos, por favor, entre em contato com o seu distribuidor local para assistência.

ATENÇÃO: Utilizar com produtos de maior peso do que os pesos indicados pode resultar em instabilidade, causando possíveis danos.

ATENÇÃO: Usar produtos mais leves do que os pesos nominais indicados pode causar danos ou sérias lesões pessoais. Uma má instalação pode causar danos ou graves lesões pessoais. Use apenas o produto com os pesos indicados no manual de instruções. Usar um produto mais leve pode causar danos ou graves lesões pessoais.

AR اقرأ كل دليل التعليمات قبل البدء بتركيب المنتج. إذا كان لديك أي أسئلة أو مخاوف بشأن التعليمات أو التحذيرات، يرجى الاتصال بموزعك المحلي للحصول على المساعدة.

تحذير: استخدام منتجات أثقل مما هو مذكور في حدود الوزن المحددة يمكن أن يؤدي إلى عدم الاستقرار وإصابة محتملة. يمكن أن يؤدي التركيب غير السليم إلى تلف المنتج أو الإصابة الجسيمة. استخدم فقط المنتجات المحددة في دليل التعليمات. استخدام منتج أخف من المحدد يمكن أن يؤدي إلى تلف المنتج أو الإصابة الجسيمة.

JA 設置や立てを始める前に、すべての取扱説明書を一読ください。取扱説明書または警告に不十分な理解がある場合は、必ず販売店に問い合わせてください。

注意: 規定の重量以上の重量を指定された範囲に設置すると、不安定さや破損の原因となります。また、誤った設置は、製品や人身に怪我や重大な損傷を引き起こす可能性があります。

注意: 規定の重量よりも軽い重量を使用すると、製品が破損したり、人身に怪我や重大な損傷を引き起こす可能性があります。必ず取扱説明書に指定された重量の部品を使用してください。

NOTE: Read the entire instruction manual before you start installation and assembly.

WARNING

- Do not begin the installation until you have read and understood all the instructions and warnings contained in this installation sheet. If you have any questions regarding any of the instructions or warnings, please contact your local distributor.
- This mounting bracket was designed to be installed and utilised ONLY as specified in this manual. Improper installation of this product may cause damage or serious injury.
- This product should only be installed by someone with good mechanical ability who has basic building experience and fully understands this manual.
- Make sure that the supporting surface will safely support the combined weight of the equipment and all attached hardware and components.
- Always use an assistant or mechanical lifting equipment to safely lift and position the equipment.
- Tighten screws firmly, but do not over tighten. Over tightening can cause damage to the items. This greatly reduces their holding power.
- This product is intended for indoor use only. Using this product outdoors could lead to product failure and personal injury.

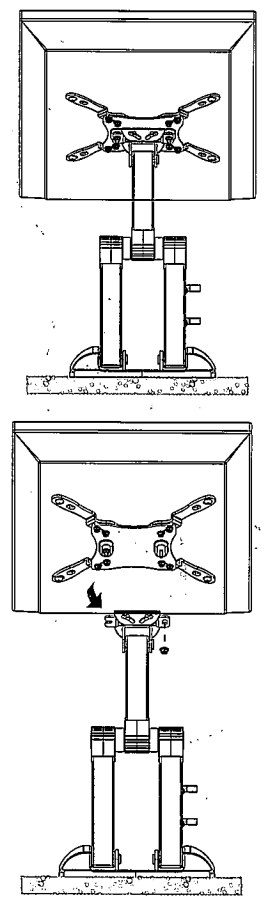
NEED HELP?

Helpful Hints
 If you have installation questions about your TV Wall Mount, please go to www.levelmount.com to view product tutorials.

Contacting Level Mount Customer Service
 If you have questions, our trained Customer Service Department is happy to assist you 24 hours a day, 7 days a week, every day of the year.
 Contact Level Mount Customer Service as follows:
 • In North America dial: 1-888-229-1459
 • E-mail: LevelMount@elexausa.com

DO NOT RETURN THIS PRODUCT TO THE STORE OR WEB SITE FROM WHICH IT WAS PURCHASED
 If you believe the product is defective, has a missing or broken part or are having difficulty with assembly, please contact Level Mount directly 24 hours a day, 7 days a week, 365 days a year as listed above, for a quick and efficient solution to your problem.

6. Hanging the TV onto the Wall Mount



Lift your TV and fit the screws into the mounting holes on the mount.