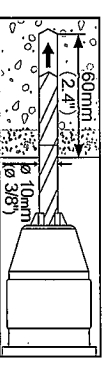
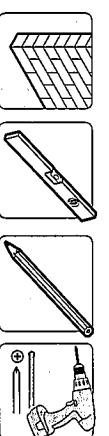
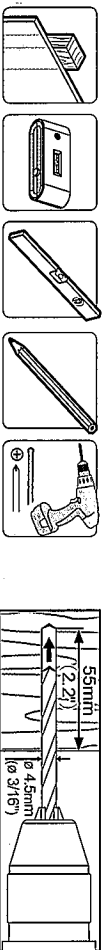
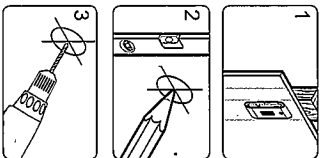


**1a. For Wood Stud Wall Mounting**

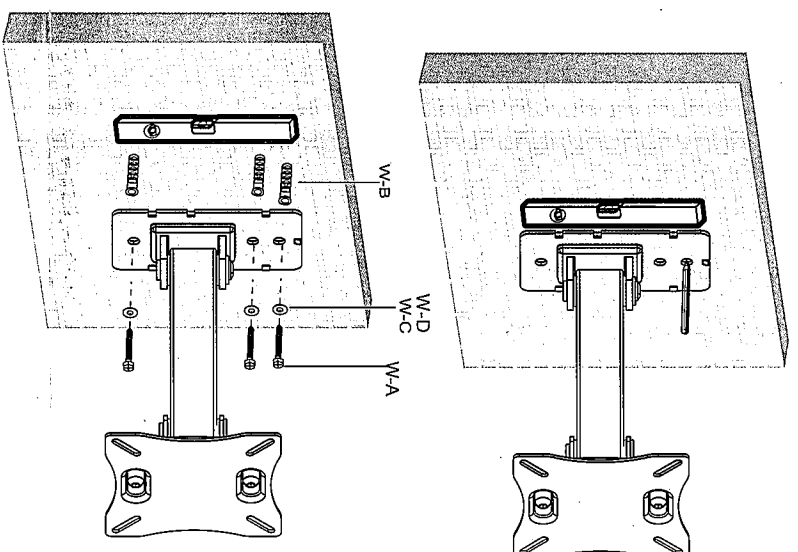
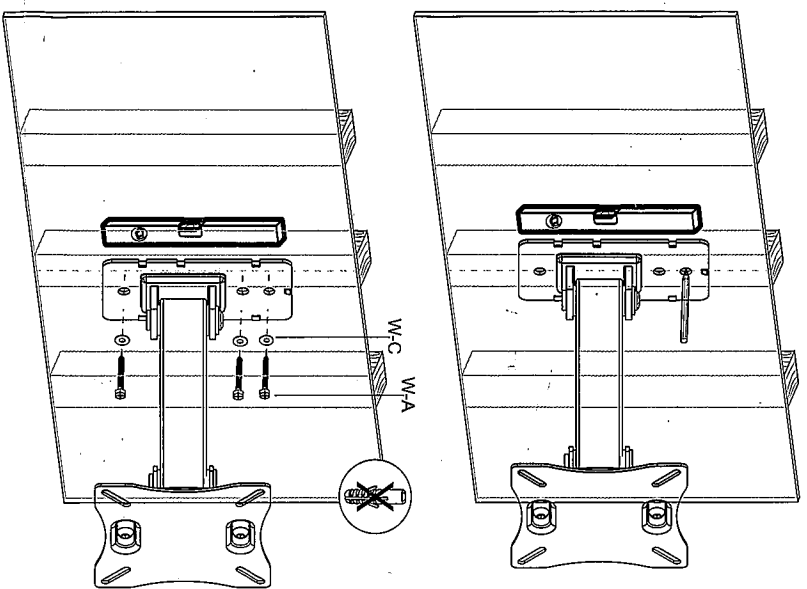


Find and mark the exact location of mounting holes

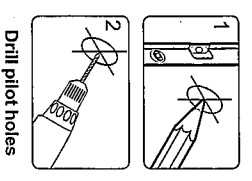


Drill pilot holes

Screw the wall mount onto the wall



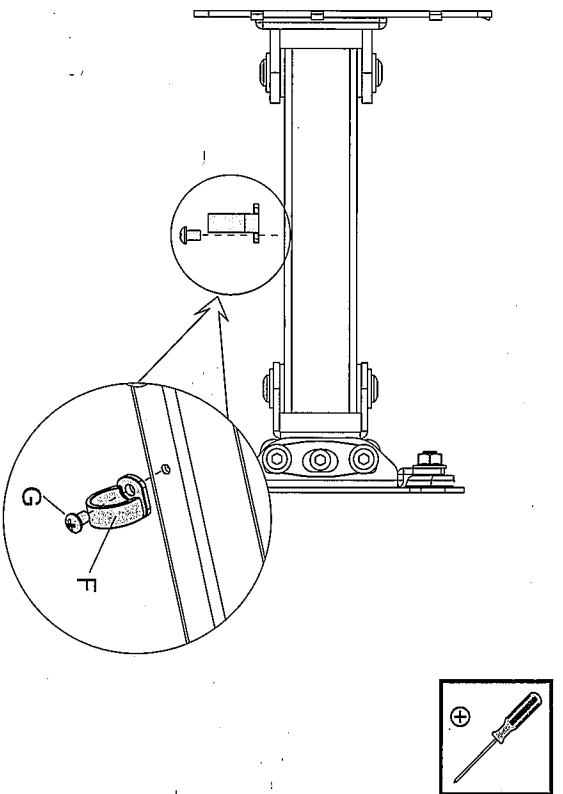
Mark the exact location of mounting holes



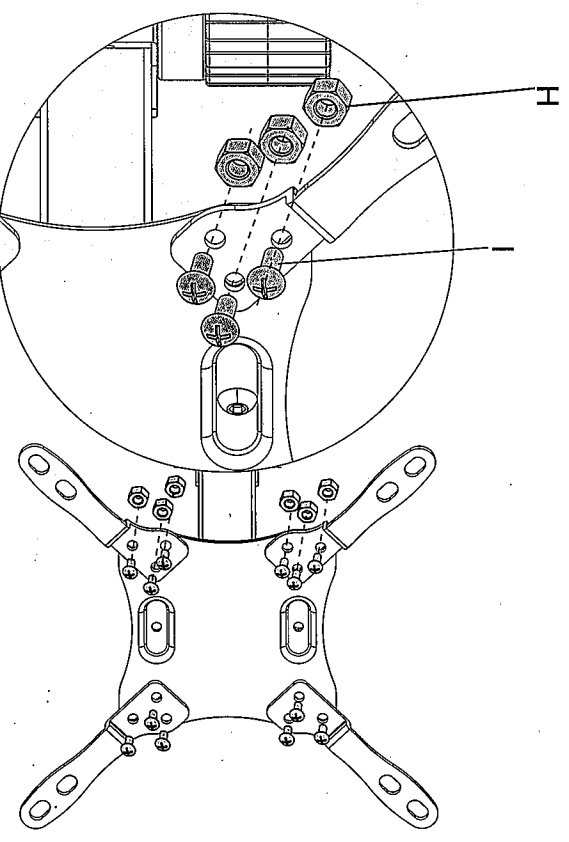
Drill pilot holes

Screw the wall mount onto the wall

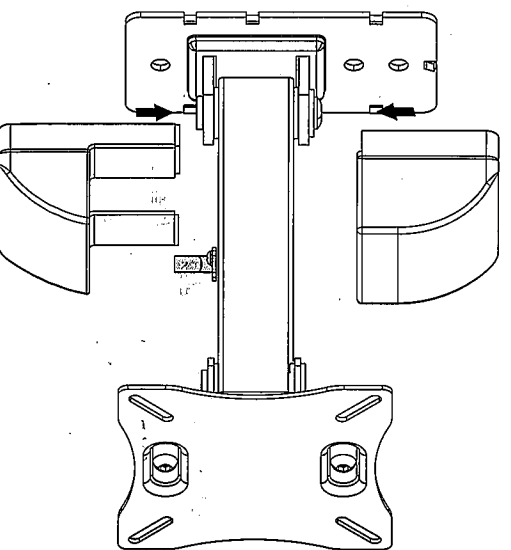
**2. Install the cable management line**



**4. Install the Adaptor**



**3. Install the plastic covers**



**5. Install the bracket on the TV**

