

EN Read the entire instruction manual before you start installation and assembly. If you have any questions regarding any of the instructions or warnings, please contact your local distributor for assistance.

- Mount must be attached to sturdy wall studs. Improper installation may result in damage or serious personal injury.
- Safety gear and proper tools must be used. This product should only be installed by professionals.
- This product is designed to be installed on a wall. It will not safely support the combined weight of the equipment and all attached hardware and components.
- Use the mounting screws provided and DO NOT OVERTIGHTEN mounting screws.
- This product contains small items that could be a choking hazard if swallowed. Keep these items away from children.
- Use proper lifting techniques. Do not lift or carry heavy equipment by yourself. Use proper lifting techniques and use proper lifting equipment to lift and move heavy equipment.
- IMPORTANT:** Ensure that you have received all parts according to the component checklist prior to installation. If any parts are missing or faulty, telephone your local distributor for a replacement.

GE Bitte vor Beginn der Montage und Zusammenbau das ganze Handbuch durchlesen. Bitte sich mit dem Händler vor Ort bei Fragen zur Anleitung oder Warnungen in Verbindung setzen.

FR Avant installation, lisez attentivement le manuel d'installation et de montage. Si vous avez des questions concernant les instructions ou les avertissements, contactez votre distributeur local pour une assistance.

RU Перед началом установки и сборки внимательно ознакомьтесь со всем руководством по установке. Если у вас возникли вопросы по инструкции, обратитесь к своему дистрибьютору.

SP Lea todo el manual de instrucciones antes de comenzar la instalación y montaje. Si usted tiene alguna duda sobre cualquier una de las instrucciones o avisos, por favor, entre en contacto con el distribuidor local para asistencia.

PT Leia todo o manual de instruções antes de iniciar a instalação e montagem. Se você tiver alguma dúvida sobre qualquer uma das instruções ou avisos, por favor, entre em contato com o distribuidor local para assistência.

AR قرا كل دليل التعليمات قبل أن تبدأ في تركيب المنتج. إذا كان لديك أي أسئلة تتعلق بأي من التعليمات أو التحذيرات، يرجى الاتصال بموزع المنتج المحلي للحصول على المساعدة.

JP 取扱説明書と警告事項を必ず事前に読んでください。取組や取組中に不明な点が生じた場合は、必ず販売店またはお客様サポートセンターまでお問い合わせください。

DE Lesen Sie das gesamte Handbuch vor dem Zusammenbau und der Montage. Wenn Sie Fragen zu den Anweisungen oder den Warnungen haben, wenden Sie sich bitte an Ihren Händler vor Ort.

IT Leggere attentamente il manuale di istruzioni prima di iniziare l'installazione e l'assemblaggio. Se si hanno dubbi o domande sulle istruzioni o sui avvisi, contattare il distributore locale per assistenza.

ES Leer todo el manual de instrucciones antes de comenzar la instalación y montaje. Si usted tiene alguna duda sobre cualquier una de las instrucciones o avisos, por favor, entre en contacto con el distribuidor local para asistencia.

PT Leia todo o manual de instruções antes de iniciar a instalação e montagem. Se você tiver alguma dúvida sobre qualquer uma das instruções ou avisos, por favor, entre em contato com o distribuidor local para assistência.

FR Avant installation, lisez attentivement le manuel d'installation et de montage. Si vous avez des questions concernant les instructions ou les avertissements, contactez votre distributeur local pour une assistance.

RU Перед началом установки и сборки внимательно ознакомьтесь со всем руководством по установке. Если у вас возникли вопросы по инструкции, обратитесь к своему дистрибьютору.

SP Lea todo el manual de instrucciones antes de comenzar la instalación y montaje. Si usted tiene alguna duda sobre cualquier una de las instrucciones o avisos, por favor, entre en contacto con el distribuidor local para asistencia.

PT Leia todo o manual de instruções antes de iniciar a instalação e montagem. Se você tiver alguma dúvida sobre qualquer uma das instruções ou avisos, por favor, entre em contato com o distribuidor local para assistência.

AR قرا كل دليل التعليمات قبل أن تبدأ في تركيب المنتج. إذا كان لديك أي أسئلة تتعلق بأي من التعليمات أو التحذيرات، يرجى الاتصال بموزع المنتج المحلي للحصول على المساعدة.

JP 取扱説明書と警告事項を必ず事前に読んでください。取組や取組中に不明な点が生じた場合は、必ず販売店またはお客様サポートセンターまでお問い合わせください。

NOTE: Read the entire instruction manual before you start installation and assembly.

WARNING

- Do not begin the installation until you have read and understood all the instructions and warnings contained in this installation sheet. If you have any questions regarding any of the instructions or warnings, please contact your local distributor.
- This mounting bracket was designed to be installed and utilized ONLY as specified in this manual. Improper installation of this product may cause damage or serious injury.
- This product should only be installed by someone with good mechanical ability who has basic building experience and fully understands this manual.
- Make sure that the supporting surface will safely support the combined weight of the equipment and all attached hardware and components.
- Always use an assistant or mechanical lifting equipment to safely lift and position the equipment.
- Tighten screws firmly, but do not over tighten. Over tightening can cause damage to the items. This greatly reduces their holding power.
- This product is intended for indoor use only. Using this product outdoors could lead to product failure and personal injury.

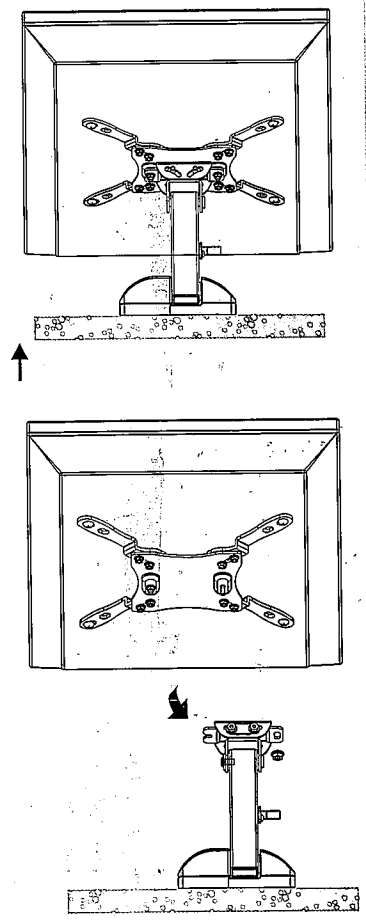
NEED HELP?

Helpful Hints
If you have installation questions about your TV Wall Mount, please go to www.levelmount.com to view product tutorials.

Contacting Level Mount Customer Service
If you have questions, our trained Customer Service Department is happy to assist you 24 hours a day, 7 days a week, every day of the year.
Contact Level Mount Customer Service as follows:
• In North America dial: 1-888-229-1459
• E-mail Level Mount at www.customersupport@eleksusa.com

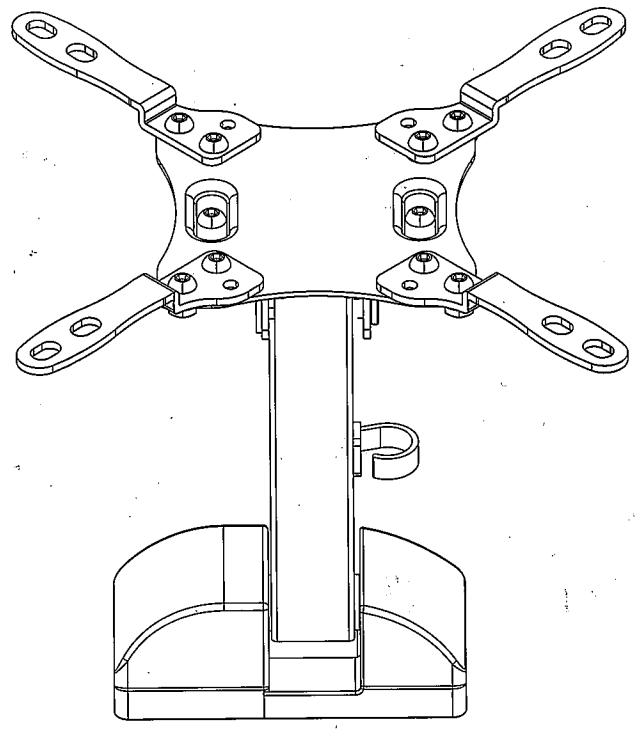
DO NOT RETURN THIS PRODUCT TO THE STORE OR WEB SITE FROM WHICH IT WAS PURCHASED
If you believe the product is defective, has a missing or broken part or are having difficulty with assembly, please contact Level Mount directly 24 hours a day, 7 days a week, 365 days a year as listed above, for a quick and efficient solution to your problem.

5. Hanging the TV onto the Wall Mount



Lift your TV and fit the screws into the mounting holes on the mount.

LEVEL MOUNT by Elexa
INSTALLATION MANUAL
Full Motion LED, LCD TV Wall Mount



CAUTION: DO NOT EXCEED RATED LISTED WEIGHT. SERIOUS INJURY OR PROPERTY DAMAGE MAY OCCUR!

DC30SJ

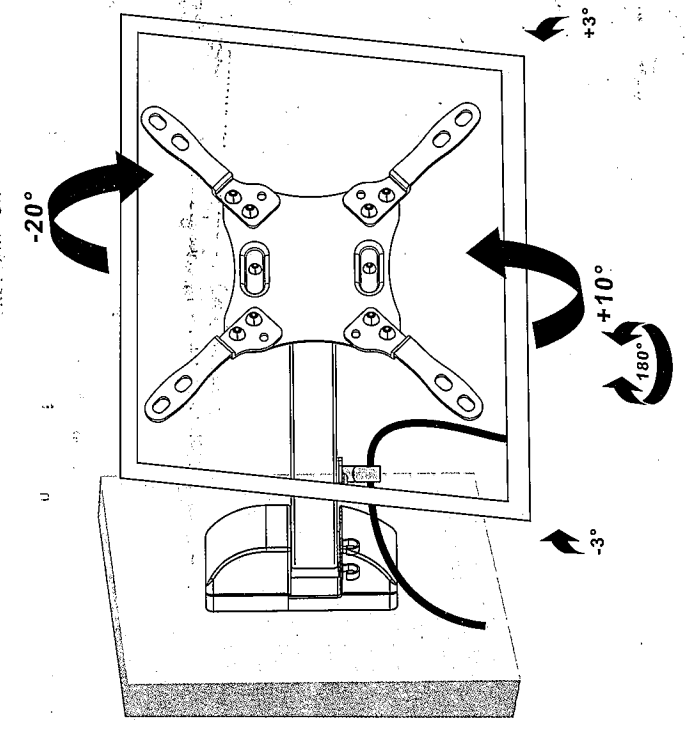
150x150/200x200

23"-42"

30kg (66lbs) RATED

ISSUED: APR. 2016

6. Adjustment



Tension is already pre-set at the factory. If it's too tight or too loose, you may adjust the tension by loosening or tightening the adjustment bolts.

Maintenance
• Check that the bracket is secure and safe to use at regular intervals (at least every three months).
• Please contact your distributor if you have any questions.