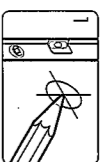
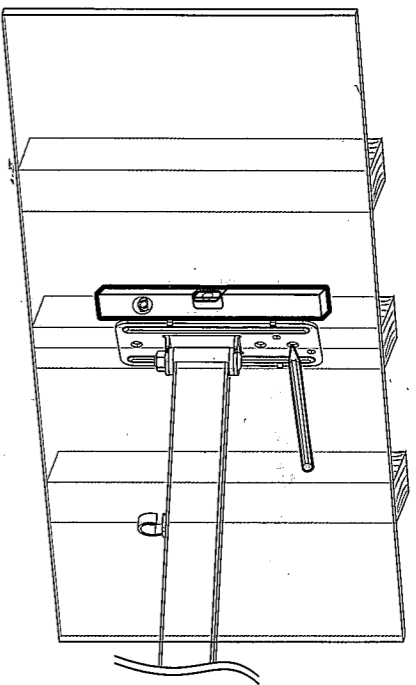
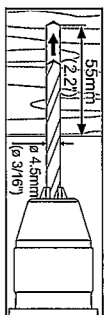
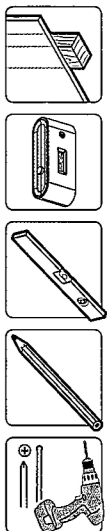


1a. For Wood Stud Wall Mounting



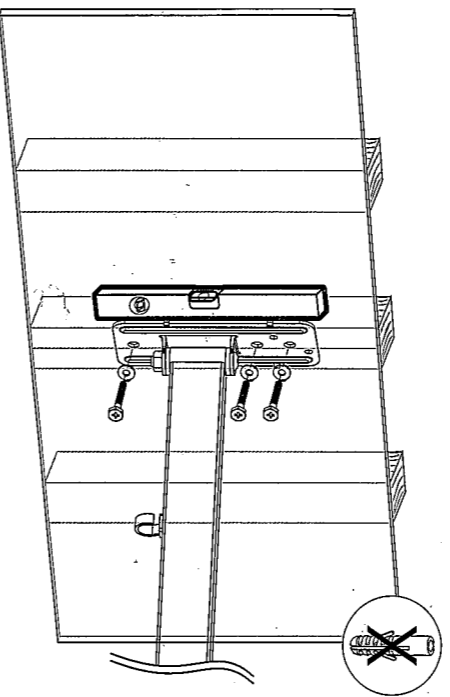
1 Find and Mark the exact location of mounting holes



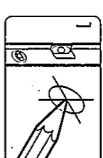
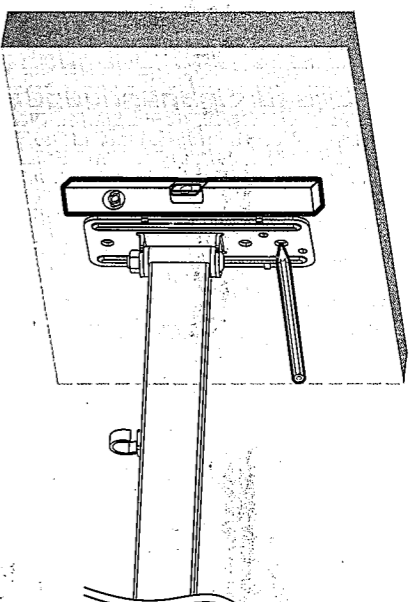
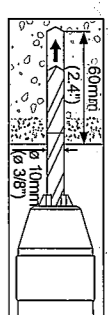
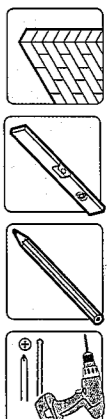
2 Drill pilot holes



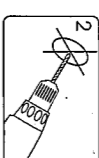
Screw the Wall plate onto the wall



1b. For Solid Brick and Concrete Mounting



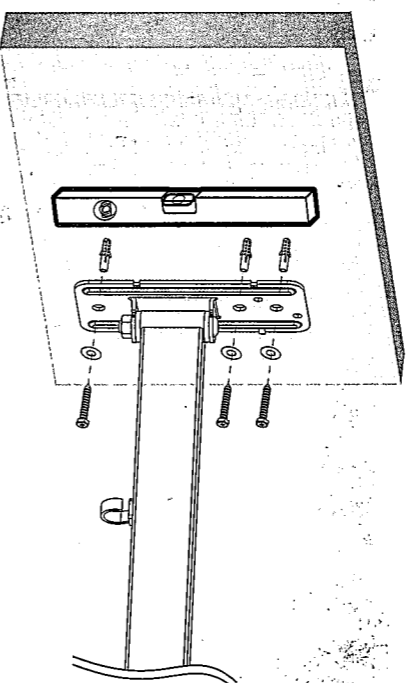
1 Find and Mark the exact location of mounting holes



2 Drill pilot holes



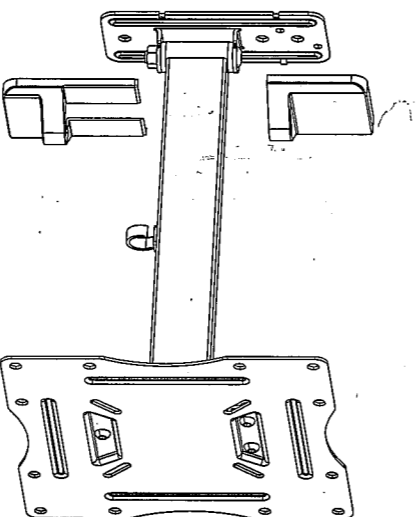
Screw the Wall plate onto the wall



! WARNING

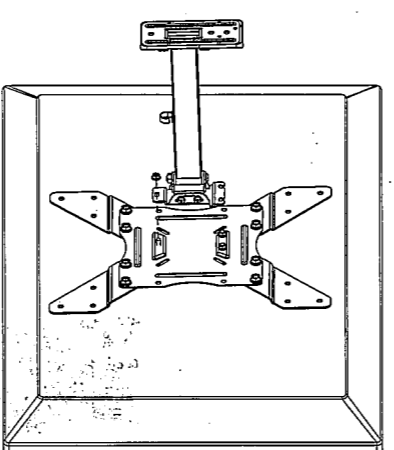
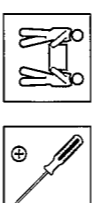
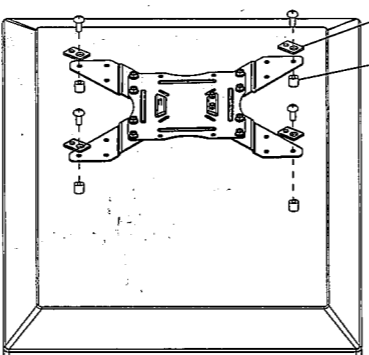
Installers must verify that the supporting surface will safely support the combined weight of the equipment and all attached hardware and components.

2. Install the plastic covers

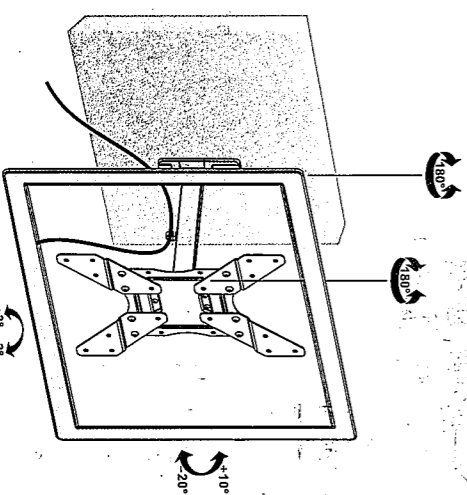
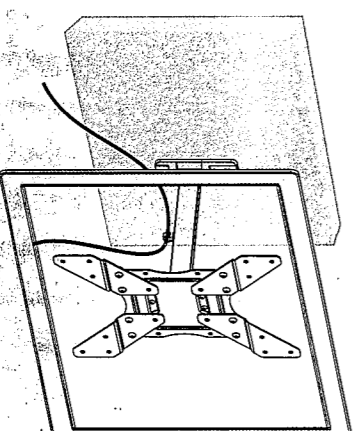


3. Install the TV onto the Wall Mount

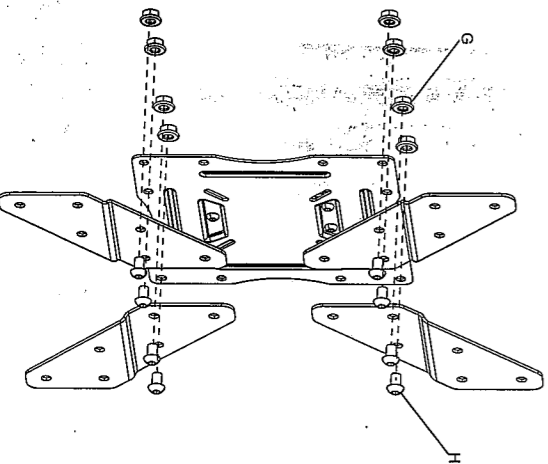
M-F M-G
M-E M-I
M-D M-H(x2)
M-C M-B
M-A



4. Adjustment



3. Install the adapter onto the wall mount



Tension is already pre-set at the factory. If it's too tight or too loose, you may adjust the tension by loosening or tightening the head and arm adjustment bolts.

Maintenance
• Check that the bracket is secure and safe to use at regular intervals (at least every three months).
• Please contact your dealer if you have any questions.